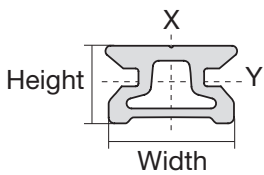
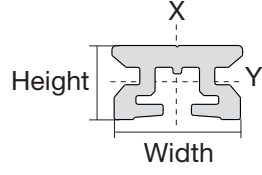


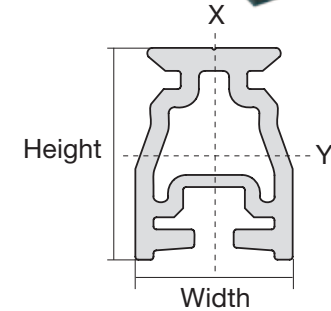
TRACK Standard
22, 30, 42



TRACK Pinstop
22, 30, 42



TRACK Sliding bolt
22, 30, 42



TRACK High beam
22, 30, 42

Length mm	TRACK 22					TRACK 30				TRACK 42			
	1 Standard Art. no.	2 Pinstop Art. no.	3 Sliding bolt Art. no.	4 Pinstop Racing Art. no.	5 High beam Art. no.	1 Standard Art. no.	2 Pinstop Art. no.	3 Sliding bolt Art. no.	5 High beam Art. no.	1 Standard Art. no.	2 Pinstop Art. no.	3 Sliding bolt Art. no.	5 High beam Art. no.
300	-	-	-	442-004-01	-	-	-	-	-	-	-	-	-
500	-	-	-	442-004-03	-	-	-	-	-	-	-	-	-
1000	442-001-01	442-002-01	-	442-004-04	-	443-001-01	443-002-01	-	-	-	-	-	-
1200	442-001-02	442-002-02	-	-	-	443-001-02	443-002-02	-	-	-	-	-	-
1500	442-001-03	442-002-03	-	-	442-011-03	443-001-03	443-002-03	-	443-011-03	444-001-03	444-002-03	-	-
2000	442-001-04	442-002-04	442-003-04	-	442-011-04	443-001-04	443-002-04	443-003-04	443-011-04	444-001-04	444-002-04	444-003-04	444-011-04
2500	442-001-05	442-002-05	-	-	-	443-001-05	443-002-05	-	-	444-001-05	444-002-05	-	444-011-05
3000	442-001-06	442-002-06	442-003-06	-	-	443-001-06	443-002-06	443-003-06	-	444-001-06	444-002-06	444-003-06	-
3500	442-001-07	442-002-07	-	-	-	443-001-07	443-002-07	-	-	444-001-07	444-002-07	-	-
4000	442-001-08	442-002-08	442-003-08	-	442-011-08	443-001-08	443-002-08	443-003-08	443-011-08	444-001-08	444-002-08	444-003-08	444-011-08
6000	442-001-09	442-002-09	-	-	-	443-001-09	443-002-09	-	-	444-001-09	444-002-09	-	-
Weight Kg/m	0.43		0.45	0.43	1.07	0.89			2.62	1.65			4.47
Width/height mm	22/13				26/35	30/17			42/62	42/22			58/85
Wx/Wy cm ³	0.57/0.38		0.64/0.36	0.57/0.38	2.10/2.76	1.66/1.07		1.59/0.92	8.4/12.9	4.47/2.62		4.43/2.35	19.2/33
Ix/Iy cm ⁴	0.63/0.28		0.70/0.27	0.63/0.28	2.73/4.83	2.48/0.99		2.38/0.88	17.7/42.8	9.39/3.11		9.31/2.88	55.8/147
Screw size*	M5				M6	M6			M8	M10		M8	M10
Pinstop spacing, c-c (mm)	-	50	-	25	-	-	50	-	-	-	50	-	-
Hole spacing, c-c (mm)	100		-	100	-	100			-	100			-

*Fasteners not included.