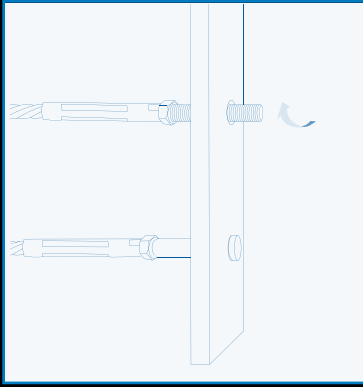


Balustrades



SF7806TR

Technical Data

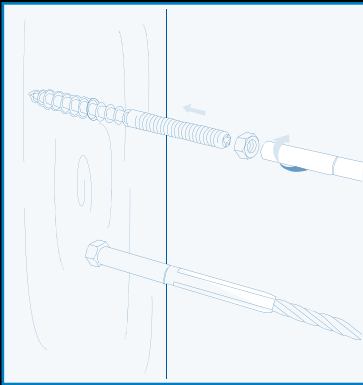
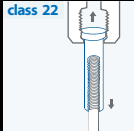
Forging material : AISI316 - DIN 1.4401
Surface treatment : "E.P." (Electro polished)

Field of application

Inside threaded domehead are designed as a neat and aesthetic end stopper to all types of threaded end fittings. It is best used for balustrading.

Note:⁽¹⁾ Standard safety factor for working load is 1/4 of breaking load.

Refer to page 86 - class 22 load characteristic



SF7801/IR, SF7801/IL

Technical Data

Forging material : AISI316 - DIN 1.4401
Surface treatment : "M.F." (Matte finished)

Field of application

Inside threaded terminals are designed as a neat and aesthetic connector between a cable and all types of external threaded end fittings. It is best used in combination with wooden screw for a clean profile to a wood surface.

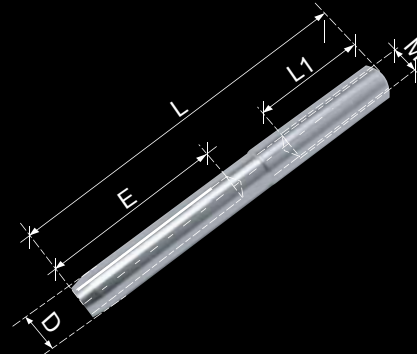
Note:⁽²⁾ Standard safety factor for working load is 1/4 of breaking load.

Refer to page IV - class10 load characteristic



SF7806TR Inside threaded domehead (right hand thread)

Item no.	SF7806TR	SIZE	Ø D	Ø D1	L	M		B.L. ⁽¹⁾
Material	SS316	(mm)	(mm)	(mm)	(mm)	(thread)		(kgs)
	6780-6525	M5	7.13	10.0	40	M5	1,600	750
	6780-6630	M6	8.00	11.5	45	M6	1,200	1,400
	6780-6835	M8	11.00	14.0	55	M8	600	2,200



SF7801/IR Inside threaded terminal (right hand thread), SF7801/IL Inside threaded terminal (left hand thread)

Item no.	SF7801/IR	Ø D	E	L	L1	M	DIA Ø CABLE		B.L. ⁽²⁾
Material	SS316	(mm)	(mm)	(mm)	(mm)	(thread)	(mm)		(kgs)
	6780-1382	5.50	25	65	20	M5	3	2,000	600
	6780-1383	6.35	25	65	20	M6	4	1,500	1,000
	6780-1384	7.50	30	70	20	M6	5	1,200	1,400
	6780-1385	9.00	40	85	25	M8	6	750	2,200

Item no.	SF7801/IL	Ø D	E	L	L1	M	DIA Ø CABLE		B.L. ⁽²⁾
Material	SS316	(mm)	(mm)	(mm)	(mm)	(thread)	(mm)		(kgs)
	6780-1387	5.50	25	65	20	M5	3	2,000	600
	6780-1388	6.35	25	65	20	M6	4	1,500	1,000
	6780-1389	7.50	30	70	20	M6	5	1,200	1,400
	6780-1390	9.00	40	85	25	M8	6	750	2,200

